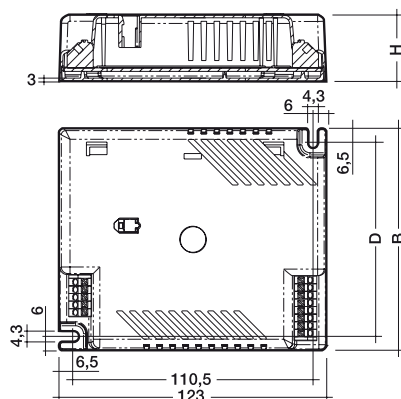




PCA ECO 11–57 W 220–240 V 50/60/0 Hz



- dimming range from 3–100 % (10–100 % with 57 W)
- lamp start at 3 % (10 % with 57 W)
- defined lamp warm start within 0.6 s
- switch via the mains or with digital control signal
- dimming which is comfortable to the eye
- disturbance free precise control with a digital DSI signal or switchDIM
- integrated SMART interface
- fully electronic lamp management and digital communication with ASIC

- constant light output independent of fluctuating supply voltage
- DC operation in emergency lighting installations to EN 50172
- automatically triggered 70 % emergency light value for DC and rectified AC voltage (please refer to data sheet)
- safe shutdown of defective lamps
- safe shutdown of lamps at end of life (rectifying effect)
- automatic restart after lamp replacement
- operating frequency ~40–100 kHz

Packaging:
box of 10
50 boxes/pallet
500 pieces/pallet

Wiring:
page 98 figure P, Q
page 99 figure R, S

Approvals:
EN 55015
EN 55022
EN 60929
EN 61000-3-2
EN 61347-2-3
EN 61547
suitable for emergency light installations as per EN 50172

Lamp		Ballast										
watt- age W	type	type	article number	dimensions L x W x H mm	fixing centres D mm	weight kg	lamp power W ②	circuit power W ②	current at 230V/50Hz A ②	λ at 230V/50Hz	tc point °C	temperature range °C ①
1x11	TC-SEL	PCA 1/11/13 TCD ECO 220–240 V 50/60/0 Hz	22084878	123 x 79 x 31	66.5	0.22	11.4	15.5	0.072	0.95	75	-15 → +60
2x11	TC-SEL	PCA 2/11/13 TCD ECO 220–240 V 50/60/0 Hz	22084862	123 x 102 x 31	89.5	0.25	22.5	29.5	0.132	0.96	80	-15 → +60
1x13	TC-DEL	PCA 1/11/13 TCD ECO 220–240 V 50/60/0 Hz	22084878	123 x 79 x 31	66.5	0.22	12.7	16.5	0.076	0.95	75	-15 → +60
2x13	TC-DEL	PCA 2/11/13 TCD ECO 220–240 V 50/60/0 Hz	22084862	123 x 102 x 31	89.5	0.25	24.0	31.0	0.140	0.96	80	-15 → +60
1x18	TC-DEL	PCA 1/18 TCD ECO 220–240 V 50/60/0 Hz	22084859	123 x 79 x 31	66.5	0.22	16.0	20.5	0.100	0.96	75	-25 → +60
2x18	TC-DEL	PCA 2/18 TCD ECO 220–240 V 50/60/0 Hz	22084843	123 x 102 x 31	89.5	0.25	32.0	40.0	0.180	0.98	85	-25 → +60
1x26	TC-DEL	PCA 1/26 TCD ECO 220–240 V 50/60/0 Hz	22084765	123 x 79 x 31	66.5	0.22	23.0	27.5	0.130	0.97	85	-25 → +60
2x26	TC-DEL	PCA 2/26 TCD ECO 220–240 V 50/60/0 Hz	22084752	123 x 102 x 31	89.5	0.25	45.0	55.0	0.250	0.99	80	-25 → +50
1x18	TC-TEL	PCA 1/18 TCD ECO 220–240 V 50/60/0 Hz	22084859	123 x 79 x 31	66.5	0.22	16.0	20.5	0.100	0.96	75	-25 → +60
2x18	TC-TEL	PCA 2/18 TCD ECO 220–240 V 50/60/0 Hz	22084843	123 x 102 x 31	89.5	0.25	32.0	40.0	0.180	0.98	85	-25 → +60
1x26	TC-TEL	PCA 1/26 TCD ECO 220–240 V 50/60/0 Hz	22084765	123 x 79 x 31	66.5	0.22	23.0	27.5	0.130	0.97	85	-25 → +60
2x26	TC-TEL	PCA 2/26 TCD ECO 220–240 V 50/60/0 Hz	22084752	123 x 102 x 31	89.5	0.25	45.0	55.0	0.250	0.99	80	-25 → +50
1x32	TC-TEL	PCA 1/32 TCT ECO 220–240 V 50/60/0 Hz	22088644	123 x 79 x 31	66.5	0.22	30.0	36.2	0.160	0.95	80	-25 → +60
2x32	TC-TEL	PCA 2/32 TCT ECO 220–240 V 50/60/0 Hz	22088650	123 x 102 x 31	89.5	0.25	61.0	70.7	0.310	0.97	80	-25 → +50
1x42	TC-TEL	PCA 1/42 TCT ECO 220–240 V 50/60/0 Hz	22088685	123 x 79 x 31	66.5	0.22	41.0	47.0	0.210	0.97	80	-25 → +60
2x42	TC-TEL	PCA 2/42 TCT ECO 220–240 V 50/60/0 Hz	22088691	123 x 102 x 31	89.5	0.25	81.0	91.0	0.400	0.98	80	-25 → +50
1x57	TC-TEL	PCA 1/57 TCT ECO 220–240 V 50/60/0 Hz	22086957	123 x 79 x 31	66.5	0.22	57.0	66.0	0.290	0.99	85	-25 → +50

① 0 °C to ta max: dimming to 3 % (10 % for 57 W)

-25 °C to 0 °C (-15 °C at 11/13 W): 100 % start and 100 % operation possible. This applies to AC and DC operation.

② valid at 100 % light output