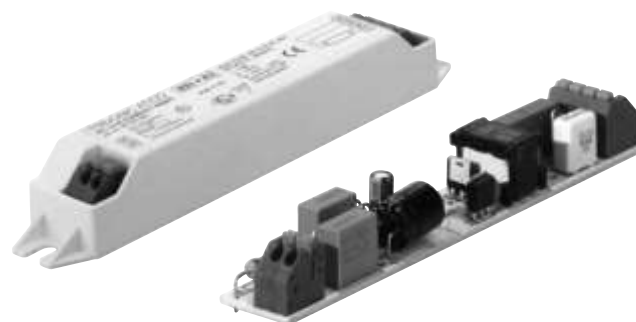
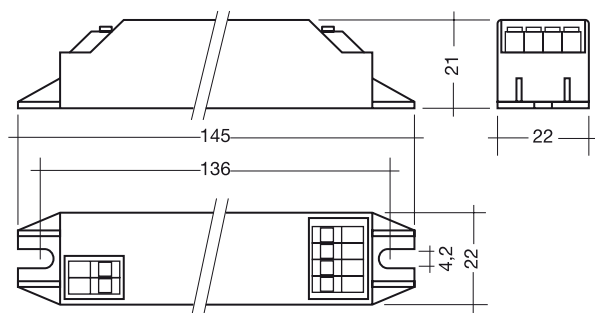


Electronic ballasts Linear and compact lamps

PC Basic sl 4–28 W 220–240 V 50/60/0 Hz, not dimmable



- defined lamp warm start < 2 s
- switching cycles > 25,000
- average life = 50,000 h (at ta max. and a failure rate of ≤ 0.2 % per 1,000 h)
- AC voltage range 198-264 V
- DC voltage range 176-264 V (for ignition input voltage ≥ 198 V DC)
- overvoltage protection 270 V AC, 360 h
- operating frequency ≥ 40 kHz
- wide operating temperature range (see table)
- safe switch off of defective lamps
- safe shutdown of lamps at end of life
- automatic re-start after lamp change
- temperature protection (PC 1x26 W Basic sl, PC 1x18–24 W Basic sl) as per EN 61347-1 Annex C
- also available in board form as PC Basic PCBs depending on the type (for information see table)

Packaging:
box of 25
36 boxes/pallet
900 pieces/pallet

Wiring:
page 64 figure G

Approvals:
EN 55015
EN 61000-3-2
EN 61347-2-3
EN 61347-2-4
EN 61547

PC Basic sl:

Lamp watt- age W	type	Ballast type	article number	dimensions L x W x H mm	fixing centres D mm	weight g	lamp power W	circuit power W	EEI	current at 50 Hz		λ at 50 Hz		tc point °C	temperature range °C
										220 V A	240 V A	220 V	240 V		
4	T5	PC 1x4–13 W Basic sl 220–240 V 50/60/0 Hz	24138834	145 x 22 x 21	136	44	3.5	5.0	A2	0.045	0.043	0.51	0.48	85	-25 → +60
6	T5	PC 1x4–13 W Basic sl 220–240 V 50/60/0 Hz	24138834	145 x 22 x 21	136	44	5.0	7.0	A2	0.059	0.057	0.54	0.51	85	-25 → +60
8	T5	PC 1x4–13 W Basic sl 220–240 V 50/60/0 Hz	24138834	145 x 22 x 21	136	44	6.5	8.5	A2	0.067	0.063	0.58	0.56	85	-25 → +60
13	T5	PC 1x4–13 W Basic sl 220–240 V 50/60/0 Hz	24138834	145 x 22 x 21	136	44	11.0	15.5	A3	0.114	0.106	0.62	0.61	85	-25 → +60
14	T5	PC 1x14–21 W Basic sl 220–240 V 50/60/0 Hz	22176001	145 x 22 x 21	136	55	12.5	14.5	A2	0.117	0.120	0.58	0.57	85	-25 → +60
21	T5	PC 1x14–21 W Basic sl 220–240 V 50/60/0 Hz	22176001	145 x 22 x 21	136	55	17.5	20.0	A2	0.147	0.151	0.60	0.60	85	-25 → +60
24	T5	PC 1x18–24 W Basic sl 220–240 V 50/60/0 Hz	22176000	145 x 22 x 21	136	55	21.5	25.0	A2	0.180	0.170	0.62	0.61	85	-25 → +60
22	T5c	PC 1x18–24 W Basic sl 220–240 V 50/60/0 Hz	22176000	145 x 22 x 21	136	55	21.5	23.5	A2	0.180	0.170	0.62	0.61	85	-25 → +60
18	T8	PC 1x18–24 W Basic sl 220–240 V 50/60/0 Hz	22176000	145 x 22 x 21	136	55	15.5	18.0	A2	0.140	0.130	0.60	0.58	85	-25 → +60
5	TC-SEL	PC 1x5–16 W Basic sl 220–240 V 50/60/0 Hz	24138833	145 x 22 x 21	136	44	4.5	6.5	A2	0.055	0.051	0.54	0.53	90	-25 → +60
7	TC-SEL	PC 1x5–16 W Basic sl 220–240 V 50/60/0 Hz	24138833	145 x 22 x 21	136	44	6.0	8.0	A2	0.065	0.063	0.56	0.53	90	-25 → +60
9	TC-SEL	PC 1x5–16 W Basic sl 220–240 V 50/60/0 Hz	24138833	145 x 22 x 21	136	44	7.5	10.0	A2	0.078	0.073	0.58	0.57	90	-25 → +60
11	TC-SEL	PC 1x5–16 W Basic sl 220–240 V 50/60/0 Hz	24138833	145 x 22 x 21	136	44	11.0	15.0	A3	0.110	0.104	0.62	0.60	90	-25 → +60
10	TC-DEL	PC 1x5–16 W Basic sl 220–240 V 50/60/0 Hz	24138833	145 x 22 x 21	136	44	8.5	11.5	A3	0.089	0.084	0.59	0.57	90	-25 → +60
13	TC-DEL	PC 1x5–16 W Basic sl 220–240 V 50/60/0 Hz	24138833	145 x 22 x 21	136	44	11.8	15.5	A3	0.112	0.106	0.63	0.61	90	-25 → +60
13	TC-TEL	PC 1x5–16 W Basic sl 220–240 V 50/60/0 Hz	24138833	145 x 22 x 21	136	44	12.0	15.5	A3	0.112	0.106	0.63	0.61	90	-25 → +60
10	TC-DD	PC 1x4–13 W Basic sl 220–240 V 50/60/0 Hz	24138834	145 x 22 x 21	136	44	9.0	11.5	A3	0.087	0.081	0.60	0.59	85	-25 → +60
16	TC-DD	PC 1x5–16 W Basic sl 220–240 V 50/60/0 Hz	24138833	145 x 22 x 21	136	44	14.0	18.0	A3	0.130	0.121	0.63	0.62	90	-25 → +60
18	TC-TEL	PC 1x18 W Basic sl 220–240 V 50/60/0 Hz	24138832	145 x 22 x 21	136	44	15.0	19.0	A3	0.135	0.128	0.64	0.62	90	-25 → +60
18	TC-DEL	PC 1x18 W Basic sl 220–240 V 50/60/0 Hz	24138832	145 x 22 x 21	136	44	15.5	19.0	A3	0.135	0.128	0.64	0.62	90	-25 → +60
18	TCL	PC 1x18–24 W Basic sl 220–240 V 50/60/0 Hz	22176000	145 x 22 x 21	136	55	14.0	16.5	A2	0.130	0.120	0.59	0.58	85	-25 → +60
24	TCL	PC 1x18–24 W Basic sl 220–240 V 50/60/0 Hz	22176000	145 x 22 x 21	136	55	21.5	24.0	A3	0.180	0.170	0.62	0.61	85	-25 → +60
18	TCF	PC 1x18–24 W Basic sl 220–240 V 50/60/0 Hz	22176000	145 x 22 x 21	136	55	13.0	16.0	A2	0.120	0.120	0.68	0.57	85	-25 → +60
24	TCF	PC 1x18–24 W Basic sl 220–240 V 50/60/0 Hz	22176000	145 x 22 x 21	136	55	19.0	22.5	A3	0.170	0.150	0.61	0.60	85	-25 → +60
26	TC-TEL	PC 1x26 W Basic sl 220–240 V 50/60/0 Hz	22176002	145 x 22 x 21	136	55	21.0	24.5	A2	0.180	0.170	0.62	0.61	90	-25 → +60
26	TC-DEL	PC 1x26 W Basic sl 220–240 V 50/60/0 Hz	22176002	145 x 22 x 21	136	55	20.5	24.0	A2	0.180	0.170	0.62	0.61	90	-25 → +60
⊙ 28	TC-DD	PC 1x26 W Basic sl 220–240 V 50/60/0 Hz	22176002	145 x 22 x 21	136	55	25.0	28.5	A2	0.180	0.170	0.62	0.61	90	-25 → +50

PC Basic sl pcb:

Ballast type	article number	L x W x H mm	weight g
PC 1x4–13 W Basic sl PCB 220–240 V 50/60/0 Hz	24138840	120 x 18 x 17	28
PC 1x5–16 W Basic sl PCB 220–240 V 50/60/0 Hz	24138839	120 x 18 x 17	28
PC 1x18 W Basic sl PCB 220–240 V 50/60/0 Hz	24138838	120 x 18 x 17	28

⊙ For enclosed luminaires to meet the requirement for total wattage ≤ 25 W.
For AC operation only.

With a DC supply L and N terminals are interchangeable.
Further technical details on the product and recommendations relating to installation are given on the product data sheet of the same name (www.tridonicatco.com → Techn. Information → Data sheets).