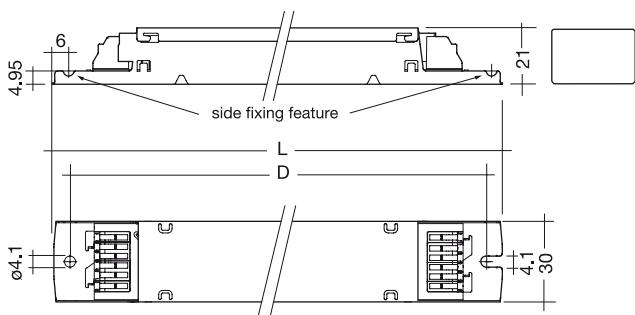


## PCA T5 ECO Ip 24–80 W 220–240 V 50/60/0 Hz



- 21 mm high
- dimming range from 1-100 %
- lamp start at 1 %
- defined lamp warm start within 0.5 s with AC and 0.2 s with DC
- power input on standby < 0.8 W
- powerless switching via a digital interface (no need for switching via mains)
- dimming which is comfortable to the eye
- disturbance free precise control with a digital DSI signal or switchDIM
- integrated SMART interface
- fully digital lamp management and digital communication

- Intelligent Voltage Guard (overvoltage indication and undervoltage shutdown)
- Intelligent Temperature Guard (protection against thermal damage)
- DC operation in emergency lighting installations to EN 50172
- automatically triggered 70 % DC emergency light value

**Adjustable functions:**

- backward compatible
- selectable dimming rate in switchDIM mode (3 s or 6 s)
- with switchDIM-MEMORY and corridorFUNCTION

**Packaging:**

**L 360 mm**  
box of 10  
76 boxes/pallet  
760 pieces/pallet

**L 425 mm**  
box of 25  
33 boxes/pallet  
825 pieces/pallet

**Approvals:**

EN 55015  
EN 55022  
EN 60929  
EN 61000-3-2  
EN 61347-2-3  
EN 61547  
suitable for emergency light installations as per EN 50172

**Wiring:**

page 94 figure A, B, C, C1  
page 99 figure S, S1

Lamp		Ballast										
wattage W	length mm	type	article number	length L mm	fixing centres D mm	weight kg	lamp power W ②	circuit power W ②	current at 230V/50Hz A ②	$\lambda$ at 230V/50Hz	tc point °C	temperature range °C ①
1x24	549	PCA 1/24 T5 ECO Ip 220–240 V 50/60/0 Hz	22089521	360	350	0.27	23	26.7	0.12	0.96	80	-25 → +60
2x24	549	PCA 2/24 T5 ECO Ip 220–240 V 50/60/0 Hz	22089537	360	350	0.29	2x23	53.4	0.24	0.98	85	-25 → +60
1x39	849	PCA 1/39 T5 ECO Ip 220–240 V 50/60/0 Hz	22089506	360	350	0.27	38	41.3	0.19	0.97	80	-25 → +60
2x39	849	PCA 2/39 T5 ECO Ip 220–240 V 50/60/0 Hz	22089515	425	415	0.33	2x38	83.6	0.37	0.98	85	-25 → +60
1x49	1,449	PCA 1/49 T5 ECO Ip 220–240 V 50/60/0 Hz	22089483	360	350	0.27	49	54.0	0.24	0.98	75	-25 → +50
2x49	1,449	PCA 2/49 T5 ECO Ip 220–240 V 50/60/0 Hz	22089499	425	415	0.36	2x49	106.1	0.47	0.99	85	-25 → +60
1x54	1,149	PCA 1/54 T5 ECO Ip 220–240 V 50/60/0 Hz	22089461	360	350	0.27	54	59.7	0.26	0.99	80	-25 → +50
2x54	1,149	PCA 2/54 T5 ECO Ip 220–240 V 50/60/0 Hz	22089477	425	415	0.36	2x54	117.9	0.52	0.99	85	-25 → +50
1x80	1,449	PCA 1/80 T5 ECO Ip 220–240 V 50/60/0 Hz	22089458	425	415	0.31	80	86.3	0.38	0.99	80	-25 → +50
2x80	1,449	PCA 2/80 T5 ECO Ip 220–240 V 50/60/0 Hz	22176054	425	415	0.35	2x80	167.0	0.74	0.99	80	-25 → +50

① 10 °C to ta max: unrestricted dimming

-25 °C to +10 °C: unrestricted dimming from 100 % to 30 %

-25 °C to +10 °C, dimming less than 30 %: Restricted dimming but no damage to ECG. This applies to AC and DC operation.

② valid at 100 % light output