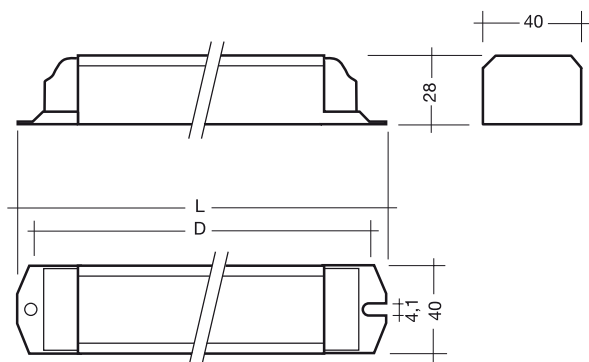


Electronic ballasts
Linear Ivamps T8, 26 mm

PC T8 PRO 18–58 W 220–240 V 50/60/0 Hz

NEW



- defined lamp warm start within 1.5 s
- constant light output independent of fluctuations in mains voltage
- average life = 50,000 h (at ta max. and a failure rate of $\leq 0.2\%$ per 1,000 h)
- AC voltage range 198-264 V
- DC voltage range 176-280 V (for ignition input voltage ≥ 198 V DC)
- power factor ≥ 0.97
- overvoltage protection 320 V AC, 1 h
- overvoltage indication starting at input voltage ≥ 306 V AC
- undervoltage protection (shut down) < 150 V AC / 176 V DC

- operating frequency ≥ 40 kHz
- suitable for automatic and manual wiring with insulation displacement connector (IDC)
- wide operating temperature range (see table)
- suitable for use in emergency lighting installations in accordance with EN 50172
- safe switch off of defective lamps
- automatic re-start after lamp change
- for luminaires with ∇_F or ∇_V and $\nabla_{V/V}$ in acc. with EN 60598, VDE 0710 and VDE 0711
- suitable for luminaires with safety class 1 and safety class 2
- ingress protection IP 20
- thermal protection according to EN 61347-2-3 C5e $\nabla_{V/V}$ ($\nabla_{V/V}$ at 2x58 W)

Packaging:

box of 10
63 boxes/pallet
630 pieces/pallet

Wiring:

page 60 figure B1-B2

Approvals:

EN 55015: 2006 +
A1: 2007
EN 60925
EN 60929
EN 61000-3-2
EN 61347-2-3
EN 61347-2-4
EN 61547
in accordance with EN 50172
IEC 68-2-64 Fh
IEC 68-2-29 Eb
IEC 68-2-30

Lamp		Ballast														
watt- age W	length mm	type	article number	length L mm	fixing centres D mm	weight kg	lamp power W	circuit power W ①	EEI	current at 50 Hz		λ at 50 Hz		tc point °C	temperature range °C	
										220 V A	240 V A	220 V	240 V			
1x18	590	PC 1/18 T8 PRO	220–240 V 50/60/0 Hz	22176093	234	220	0.28	16.0	18.0	A2	0.08	0.08	0.99	0.98	70	-25 → +60
2x18	590	PC 2/18 T8 PRO	220–240 V 50/60/0 Hz	22176107	234	220	0.28	32.0	36.0	A2	0.17	0.16	0.98	0.97	75	-25 → +60
1x36	1,200	PC 1/36 T8 PRO	220–240 V 50/60/0 Hz	22176108	234	220	0.28	32.0	35.0	A2	0.16	0.15	0.98	0.98	75	-25 → +60
2x36	1,200	PC 2/36 T8 PRO	220–240 V 50/60/0 Hz	22176109	234	220	0.28	64.0	70.0	A2	0.32	0.29	0.99	0.98	75	-25 → +55
1x58	1,500	PC 1/58 T8 PRO	220–240 V 50/60/0 Hz	22176094	234	220	0.28	50.0	54.0	A2	0.26	0.24	0.98	0.98	75	-25 → +50
2x58	1,500	PC 2/58 T8 PRO	220–240 V 50/60/0 Hz	22176095	234	220	0.28	100.0	107.0	A2	0.49	0.45	0.99	0.99	80	-25 → +50

① measured according to EN 50294