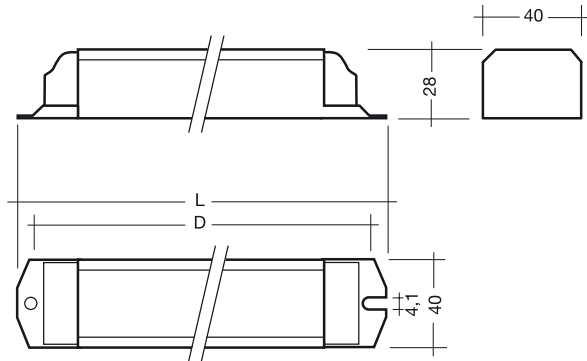
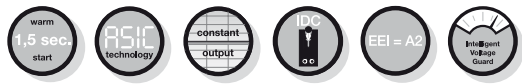


PC T8 PRO 18–70 W 220–240 V 50/60/0 Hz



- defined lamp warm start within 1.5 s
- constant light output independent of fluctuations in mains voltage
- average life = 50,000 h (at ta max. and a failure rate of $\leq 0.2\%$ per 1,000 h)
- AC voltage range 198-264 V
- DC voltage range 176-280 V (for ignition input voltage ≥ 198 V DC)
- power factor ≥ 0.96
- overvoltage protection 320 V AC, 1 h
- overvoltage indication starting at input voltage ≥ 306 V AC
- undervoltage protection (shut down) < 150 V AC / 176 V DC

- operating frequency ≥ 40 kHz
- suitable for automatic and manual wiring with insulation displacement connector (IDC)
- wide operating temperature range (see table)
- suitable for use in emergency lighting installations in accordance with EN 50172
- safe switch off of defective lamps
- automatic re-start after lamp change
- for luminaires with ∇ or ∇ and ∇ in acc. with EN 60598, VDE 0710 and VDE 0711
- suitable for luminaires with safety class 1 and safety class 2
- ingress protection IP 20
- thermal protection according to EN 61347-2-3 C5e ∇ (∇ at 2x58 W)

Packaging:**PC 3/4/18 T8 PRO****PC 2/30 T8 PRO****PC 1/2/30–70 T8 PRO**

box of 10

63 boxes/pallet

630 pieces/pallet

PC 3/36 T8 PRO**PC 2/70 T8 PRO**

box of 10

42 boxes/pallet

420 pieces/pallet

Wiring:

page 60 figure B1-B3

page 61 figure B4

Approvals:

EN 55015: 2006 +

A1: 2007

EN 60925

EN 60929

EN 61000-3-2

EN 61347-2-3

EN 61347-2-4

EN 61547

in accordance

with EN 50172

IEC 68-2-64 Fh

IEC 68-2-29 Eb

IEC 68-2-30

Lamp		Ballast													
wattage W	length mm	type	article number	length L mm	fixing centres D mm	weight kg	lamp power W	circuit power W ①	EEI	current at 50 Hz A		λ at 50 Hz		tc point °C	temperature range °C
										220 V	240 V	220 V	240 V		
3x18	590	PC 3/18 T8 PRO	22088146	234	220	0.28	48.0	54.5	A2	0.26	0.24	0.97	0.97	75	-25 → +50
4x18	590	PC 4/18 T8 PRO	22088152	234	220	0.28	64.0	73.0	A2	0.34	0.31	0.97	0.97	75	-25 → +50
1x30	900	PC 1/30 T8 PRO	22176077	234	220	0.28	24.0	28.0	A2	0.13	0.12	0.97	0.96	75	-25 → +60
2x30	900	PC 2/30 T8 PRO	22176078	234	220	0.28	50.0	56.0	A2	0.26	0.24	0.97	0.96	75	-25 → +60
3x36	1,200	PC 3/36 T8 PRO	22176075	360	350	0.34	96.0	110.0	A3	0.51	0.47	0.99	0.98	70	-25 → +50
1x70	1,800	PC 1/70 T8 PRO	22088357	234	220	0.28	60.0	68.0	A2	0.32	0.29	0.97	0.97	75	-25 → +50
2x70	1,800	PC 2/70 T8 PRO	22088341	360	350	0.36	120.0	130.0	A2	0.60	0.55	0.98	0.98	65	-25 → +50

① measured according to EN 50294