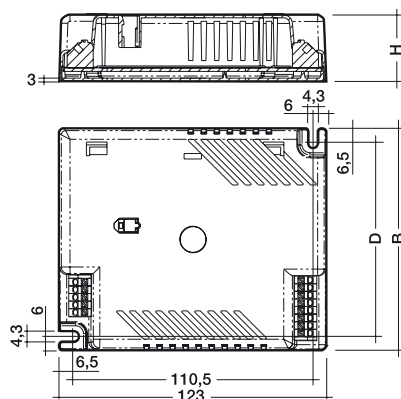




PCA TCL ECO c 18–24 W 220–240 V 50/60/0 Hz



- dimming range from 3-100 %
- lamp start at 3 %
- defined lamp warm start within 0.6 s with AC and DC (2x18 W in 1.5 s with AC)
- switch via the mains or with digital control signal
- dimming which is comfortable to the eye
- disturbance free precise control with a digital DSI signal or switchDIM
- integrated SMART interface
- fully electronic lamp management and digital communication with ASIC and μ C

- constant light output independent of fluctuating supply voltage
- DC operation in emergency lighting installations to EN 50172
- automatically triggered 70 % emergency light value for DC and rectified AC voltage (please refer to data sheet)
- safe shutdown of defective lamps
- safe shutdown of lamps at end of life (rectifying effect)
- automatic restart after lamp replacement
- operating frequency ~40-100 kHz

Packaging:
box of 10
50 boxes/pallet
500 pieces/pallet

Wiring:
page 97 figure M
page 98 figure N, O
page 99 figure S

Approvals:
EN 55015
EN 55022
EN 60929
EN 61000-3-2
EN 61347-2-3
EN 61547
suitable for emergency light installations as per EN 50172

Lamp		Ballast										
watt- age W	type	type	article number	dimensions L x W x H mm	fixing centres D mm	weight kg	lamp power W ②	circuit power W ②	current at 230V/50Hz A ②	λ at 230V/50Hz	tc point °C	temperature range °C ①
1x18	TC-L/TC-F	PCA 1/18 TCL ECO c 220–240 V 50/60/0 Hz	22085462	123 x 79 x 31	66.5	0.22	15	21	0.09	0.95	80	-25 → +60
2x18	TC-L/TC-F	PCA 2/18 TCL ECO c 220–240 V 50/60/0 Hz	22085478	123 x 102 x 31	89.5	0.25	30	42	0.18	0.95	80	-25 → +60
1x24	TC-L/TC-F	PCA 1/24 TCL ECO c 220–240 V 50/60/0 Hz	22085484	123 x 79 x 31	66.5	0.22	22	27	0.12	0.96	80	-25 → +60
2x24	TC-L/TC-F	PCA 2/24 TCL ECO c 220–240 V 50/60/0 Hz	22085490	123 x 102 x 31	89.5	0.25	44	52	0.23	0.98	90	-25 → +60

① 10 °C to t_a max: dimming to 3 %

-25 °C to 10 °C: 100 % start and 100 % operation possible. This applies to AC and DC operation.

② valid at 100 % light output