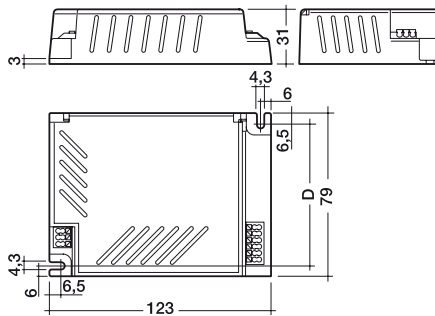
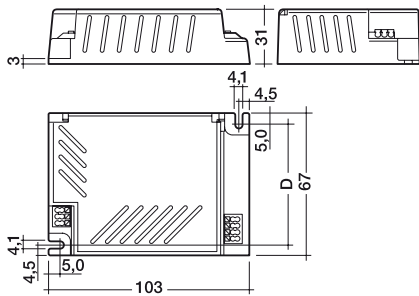




## PC PRO 1/9–70 W 220–240 V 50/60/0 Hz



- defined lamp warm start within 1.5 s
- constant light output independent of fluctuations in mains voltage
- average life = 50,000 h (at ta max. and a failure rate of ≤ 0.2 % per 1,000 h)
- AC voltage range 198-264 V
- DC voltage range 176-280 V (for ignition input voltage ≥ 198 V DC)
- power factor ≥ 0.94
- overvoltage protection 320 V AC, 1 h
- overvoltage indication starting at input voltage ≥ 306 V AC
- undervoltage protection (shut down) < 150 V AC / 176 V DC
- operating frequency ≥ 40 kHz

- wide operating temperature range (see table)
- suitable for use in emergency lighting installations in accordance with EN 50172
- safe switch off of defective lamps
- automatic re-start after lamp change
- for luminaires with  $\nabla$  or  $\nabla$  and  $\nabla$  in acc. with EN 60598, VDE 0710 and VDE 0711
- suitable for luminaires with safety class 1 and safety class 2
- ingress protection IP 20
- thermal protection  $\nabla$  according to EN 61347-2-3 C5e

**Accessories (page 58):**

- mounting bracket L103 (art. no. 04635096)
- mounting bracket L123 (art. no. 04635080)

**Packaging:**  
**PC 1/9–42 TC... PRO**  
 box of 15  
 50 boxes/pallet  
 750 pieces/pallet

**PC 1/57/70 TCT PRO**  
 box of 10  
 50 boxes/pallet  
 500 pieces/pallet

**Wiring:**  
 page 61 figure C1

**Approvals:**  
 EN 55015: 2006 +  
 A1: 2007  
 EN 60925  
 EN 60929  
 EN 61000-3-2  
 EN 61347-2-3  
 EN 61347-2-4  
 EN 61547  
 in accordance  
 with EN 50172  
 IEC 68-2-64 Fh  
 IEC 68-2-29 Eb  
 IEC 68-2-30

Lamp	Ballast		article number	dimensions L x W x H mm	fixing centres D mm	weight kg	lamp power W	circuit power W	EEI	current at 50 Hz		$\lambda$ at 50 Hz		tc point °C	temperature range °C
	watt-age W	type								220 V A	240 V A	220 V	240 V		
1x9	TC-SEL	PC 1/9/11 TCS PRO	22176027	103 x 67 x 31	57.5	0.14	6.8	10.2	A2	0.048	0.045	0.96	0.95	80	-25 → +60
1x11	TC-SEL	PC 1/9/11 TCS PRO	22176027	103 x 67 x 31	57.5	0.14	10.0	14.1	A2	0.066	0.061	0.98	0.97	80	-25 → +60
1x10	TC-DEL	PC 1/10/13 TCD PRO	22088899	103 x 67 x 31	57.5	0.14	9.5	12.0	A3	0.055	0.055	0.97	0.95	75	-25 → +50
1x13	TC-DEL	PC 1/9/11 TCS PRO	22176027	103 x 67 x 31	57.5	0.14	11.2	15.8	A3	0.073	0.068	0.98	0.97	80	-25 → +60
1x13	TC-DEL	PC 1/10/13 TCD PRO	22088899	103 x 67 x 31	57.5	0.14	12.5	15.0	A3	0.070	0.065	0.98	0.96	75	-25 → +50
1x18	TC-DEL	PC 1/18 TCD PRO	22088906	103 x 67 x 31	57.5	0.14	16.5	19.5	A3	0.090	0.085	0.99	0.97	70	-25 → +50
1x26	TC-DEL	PC 1/26/32/42 TCT PRO	22088329	103 x 67 x 31	57.5	0.14	24.0	26.5	A2	0.125	0.115	0.97	0.95	80	-25 → +60
1x13	TC-TEL	PC 1/9/11 TCS PRO	22176027	103 x 67 x 31	57.5	0.14	11.2	15.8	A3	0.073	0.068	0.98	0.97	80	-25 → +60
1x13	TC-TEL	PC 1/10/13 TCD PRO	22088899	103 x 67 x 31	57.5	0.14	12.5	15.0	A3	0.070	0.065	0.98	0.96	75	-25 → +50
1x18	TC-TEL	PC 1/18 TCD PRO	22088906	103 x 67 x 31	57.5	0.14	16.5	19.5	A3	0.090	0.085	0.99	0.97	70	-25 → +50
1x26	TC-TEL	PC 1/26/32/42 TCT PRO	22088329	103 x 67 x 31	57.5	0.14	24.0	26.5	A2	0.125	0.115	0.97	0.95	80	-25 → +60
1x32	TC-TEL	PC 1/26/32/42 TCT PRO	22088329	103 x 67 x 31	57.5	0.14	32.0	34.5	A2	0.160	0.150	0.98	0.96	80	-25 → +60
1x42	TC-TEL	PC 1/26/32/42 TCT PRO	22088329	103 x 67 x 31	57.5	0.14	42.0	46.0	A2	0.210	0.200	0.99	0.97	80	-25 → +60
1x57	TC-TEL	PC 1/57/70 TCT PRO	22088915	123 x 79 x 31	66.5	0.17	57.5	60.5	A2	0.280	0.265	0.98	0.96	85	-25 → +50
1x70	TC-TEL	PC 1/57/70 TCT PRO	22088915	123 x 79 x 31	66.5	0.17	70.0	75.0	A2	0.345	0.320	0.99	0.97	85	-25 → +50
1x22	T5c	PC 1/26/32/42 TCT PRO	22088329	103 x 67 x 31	57.5	0.14	22.3	25.4	A2	0.126	0.117	0.98	0.97	80	-25 → +60
1x40	T5c	PC 1/26/32/42 TCT PRO	22088329	103 x 67 x 31	57.5	0.14	40.0	43.0	A2	0.191	0.176	0.99	0.98	80	-25 → +60
1x18	TC-L	PC 1/26/32/42 TCT PRO	22088329	103 x 67 x 31	57.5	0.14	16.0	18.5	A2	0.086	0.080	0.96	0.94	80	-25 → +60
1x24	TC-L	PC 1/26/32/42 TCT PRO	22088329	103 x 67 x 31	57.5	0.14	22.0	25.5	A2	0.122	0.113	0.98	0.97	80	-25 → +60
1x18	TC-F	PC 1/26/32/42 TCT PRO	22088329	103 x 67 x 31	57.5	0.14	16.0	18.5	A2	0.081	0.076	0.96	0.94	80	-25 → +60
1x24	TC-F	PC 1/26/32/42 TCT PRO	22088329	103 x 67 x 31	57.5	0.14	22.0	25.5	A2	0.112	0.104	0.97	0.96	80	-25 → +60