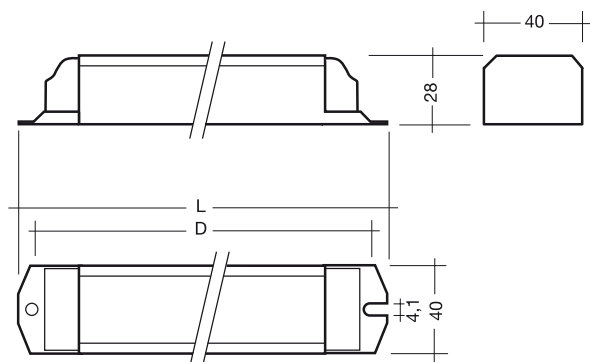


## PC TCL PRO 18–55 W 220–240 V 50/60/0 Hz



- defined lamp warm start within 1.5 s
- constant light output independent of fluctuations in mains voltage
- average life = 50,000 h (at ta max. and a failure rate of  $\leq 0.2\%$  per 1,000 h)
- AC voltage range 198-264 V
- DC voltage range 176-280 V (for ignition input voltage  $\geq 198$  V DC)
- power factor  $\geq 0.94$
- overvoltage protection 320 V AC, 1 h
- overvoltage indication starting at input voltage  $\geq 306$  V AC
- undervoltage protection (shut down) < 150 V AC / 176 V DC

- operating frequency  $\geq 40$  kHz
- suitable for automatic and manual wiring with insulation displacement connector (IDC)
- wide operating temperature range (see table)
- suitable for use in emergency lighting installations in accordance with EN 50172
- safe switch off of defective lamps
- automatic re-start after lamp change
- for luminaires with  $\nabla$  or  $\nabla$  and  $\nabla$  in acc. with EN 60598, VDE 0710 and VDE 0711
- suitable for luminaires with safety class 1 and safety class 2
- ingress protection IP 20
- thermal protection  $\nabla$  according to EN 61347-2-3 C5e

**Packaging:**  
**PC 1/18–55 TCL PRO**  
**PC 2/18–40 TCL PRO**  
 box of 10  
 63 boxes/pallet  
 630 pieces/pallet

**PC 2/55 TCL PRO**  
 box of 10  
 42 boxes/pallet  
 420 pieces/pallet

**Wiring:**  
 page 60 figure B1-B2

**Approvals:**  
 EN 55015: 2006 +  
 A1: 2007  
 EN 55022  
 EN 60925  
 EN 60929  
 EN 61000-3-2  
 EN 61347-2-3  
 EN 61347-2-4  
 EN 61547  
 in accordance  
 with EN 50172  
 IEC 68-2-64 Fh  
 IEC 68-2-29 Eb  
 IEC 68-2-30

Lamp	Ballast	type	article number	length	fixing centres	weight	lamp power	circuit power	EEI	current at 50 Hz		$\lambda$ at 50 Hz		tc point	temperature range
										220 V	240 V	220 V	240 V		
wattage W	type	type		L mm	D mm	kg	W	W ①		A	A	220 V	240 V	°C	°C
1x18	TC-L	PC 1/18/24 TCL PRO 220–240 V 50/60/0 Hz	22176068	234	220	0.28	16.0	18.5	A3	0.09	0.08	0.96	0.94	75	-25 → +60
2x18	TC-L	PC 2/18/24 TCL PRO 220–240 V 50/60/0 Hz	22176069	234	220	0.28	32.0	36.0	A2	0.17	0.16	0.98	0.96	75	-25 → +60
1x24	TC-L	PC 1/18/24 TCL PRO 220–240 V 50/60/0 Hz	22176068	234	220	0.28	22.0	25.0	A3	0.12	0.11	0.98	0.96	75	-25 → +60
2x24	TC-L	PC 2/18/24 TCL PRO 220–240 V 50/60/0 Hz	22176069	234	220	0.28	44.0	49.0	A2	0.22	0.21	0.99	0.97	75	-25 → +60
1x36	TC-L	PC 1/36 TCL PRO 220–240 V 50/60/0 Hz ②	22088398	234	220	0.28	32.0	36.0	A2	0.17	0.15	0.99	0.97	70	-25 → +50
2x36	TC-L	PC 2/36 TCL PRO 220–240 V 50/60/0 Hz	22088401	234	220	0.28	64.0	72.5	A3	0.34	0.31	0.98	0.96	75	-25 → +50
1x38	T8	PC 1/36 TCL PRO 220–240 V 50/60/0 Hz ②	22088398	234	220	0.28	32.0	36.0	A2	0.17	0.15	0.99	0.97	70	-25 → +50
2x38	T8	PC 2/36 TCL PRO 220–240 V 50/60/0 Hz	22088401	234	220	0.28	64.0	72.5	A3	0.34	0.31	0.98	0.96	75	-25 → +50
1x40	TC-L	PC 1/40 TCL PRO 220–240 V 50/60/0 Hz ②	22088410	234	220	0.28	40.0	46.0	A3	0.22	0.20	0.98	0.96	70	-25 → +50
2x40	TC-L	PC 2/40 TCL PRO 220–240 V 50/60/0 Hz ②	22088426	234	220	0.28	80.0	88.0	A2	0.41	0.37	0.99	0.97	80	-25 → +50
1x55	TC-L	PC 1/55 TCL PRO 220–240 V 50/60/0 Hz	22088432	234	220	0.28	55.0	61.0	A2	0.29	0.26	0.97	0.95	80	-25 → +50
2x55	TC-L	PC 2/55 TCL PRO 220–240 V 50/60/0 Hz	22088448	360	350	0.36	110.0	120.0	A2	0.56	0.51	0.99	0.97	75	-25 → +50

① measured according to EN 50294

② will be superseded from Q3 2008 by the products on the next page