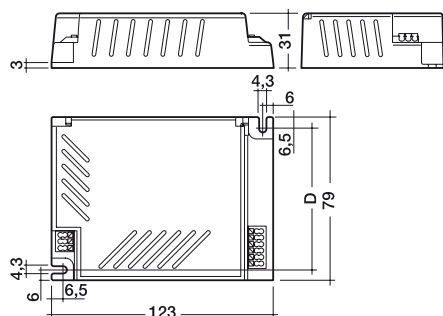




## Electronic ballasts Compact lamps

### PC PRO 2/9–42 W 220–240 V 50/60/0 Hz



- defined lamp warm start within 1.5 s
- constant light output independent of fluctuations in mains voltage
- average life = 50,000 h (at ta max. and a failure rate of ≤ 0.2 % per 1,000 h)
- AC voltage range 198-264 V
- DC voltage range 176-280 V (for ignition input voltage ≥ 198 V DC)
- power factor ≥ 0.93
- overvoltage protection 320 V AC, 1 h
- overvoltage indication starting at input voltage ≥ 306 V AC
- undervoltage protection (shut down) < 150 V AC / 176 V DC
- operating frequency ≥ 40 kHz

- wide operating temperature range (see table)
- suitable for use in emergency lighting installations in accordance with EN 50172
- safe switch off of defective lamps
- automatic re-start after lamp change
- for luminaires with  $\nabla$  or  $\nabla$  and  $\nabla$  in acc. with EN 60598, VDE 0710 and VDE 0711
- suitable for luminaires with safety class 1 and safety class 2
- ingress protection IP 20
- thermal protection  $\nabla$  according to EN 61347-2-3 C5e

**Packaging:**  
box of 10  
50 boxes/pallet  
500 pieces/pallet

**Wiring:**  
page 61 figure C2

**Approvals:**  
EN 55015: 2006 +  
A1: 2007  
EN 60925  
EN 60929  
EN 61000-3-2  
EN 61347-2-3  
EN 61347-2-4  
EN 61547  
in accordance  
with EN 50172  
IEC 68-2-64 Fh  
IEC 68-2-29 Eb  
IEC 68-2-30

**Accessories (page 58):**  
mounting bracket L123 (art. no. 04635080)

Lamp watt- age W	Ballast type	type	article number	dimensions L x W x H mm	fixing centres D mm	weight kg	lamp power W	circuit power W	EEI	current at 50 Hz		$\lambda$ at 50 Hz		tc point °C	temperature range °C
										220 V A	240 V A	220 V	240 V		
2x9	TC-SEL	PC 2/9/11 TCS PRO	22176028	123 x 79 x 31	66.5	0.17	14.4	18.3	A2	0.087	0.081	0.96	0.95	80	-25 → +60
2x11	TC-SEL	PC 2/9/11 TCS PRO	22176028	123 x 79 x 31	66.5	0.17	21.0	26.1	A2	0.121	0.113	0.97	0.97	80	-25 → +60
2x10	TC-DEL	PC 2/10/13 TCD PRO	22088921	123 x 79 x 31	66.5	0.17	19.0	21.5	A2	0.100	0.095	0.95	0.93	75	-25 → +50
2x13	TC-DEL	PC 2/9/11 TCS PRO	22176028	123 x 79 x 31	66.5	0.17	24.8	29.5	A2	0.135	0.125	0.98	0.97	80	-25 → +60
2x13	TC-DEL	PC 2/10/13 TCD PRO	22088921	123 x 79 x 31	66.5	0.17	25.0	28.0	A2	0.130	0.125	0.97	0.95	75	-25 → +50
2x18	TC-DEL	PC 2/18 TCD PRO	22088937	123 x 79 x 31	66.5	0.17	33.0	37.5	A2	0.170	0.160	0.99	0.97	70	-25 → +50
2x26	TC-DEL	PC 2/26/32 TCT PRO	22088943	123 x 79 x 31	66.5	0.17	48.0	51.0	A2	0.235	0.220	0.99	0.97	80	-25 → +60
2x13	TC-TEL	PC 2/9/11 TCS PRO	22176028	123 x 79 x 31	66.5	0.17	24.8	29.5	A2	0.135	0.125	0.98	0.97	80	-25 → +60
2x13	TC-TEL	PC 2/10/13 TCD PRO	22088921	123 x 79 x 31	66.5	0.17	25.0	28.0	A2	0.130	0.125	0.97	0.95	75	-25 → +50
2x18	TC-TEL	PC 2/18 TCD PRO	22088937	123 x 79 x 31	66.5	0.17	33.0	37.5	A2	0.170	0.160	0.99	0.97	70	-25 → +50
2x26	TC-TEL	PC 2/26/32 TCT PRO	22088943	123 x 79 x 31	66.5	0.17	48.0	51.0	A2	0.235	0.220	0.99	0.97	80	-25 → +60
2x32	TC-TEL	PC 2/26/32 TCT PRO	22088943	123 x 79 x 31	66.5	0.17	64.0	68.0	A2	0.310	0.290	0.99	0.97	80	-25 → +60
2x32	TC-TEL	PC 2/32/42 TCT PRO	22088959	123 x 79 x 31	66.5	0.17	64.0	68.0	A2	0.315	0.295	0.98	0.96	80	-25 → +55
2x42	TC-TEL	PC 2/32/42 TCT PRO	22088959	123 x 79 x 31	66.5	0.17	84.0	89.0	A2	0.410	0.380	0.99	0.97	80	-25 → +55
2x22	T5c	PC 2/26/32 TCT PRO	22088943	123 x 79 x 31	66.5	0.17	44.6	49.3	A2	0.242	0.224	0.98	0.98	80	-25 → +60
22x40	T5c	PC 2/32/42 TCT PRO	22088959	123 x 79 x 31	66.5	0.17	62.3	68.7	A2	0.295	0.252	0.98	0.97	80	-25 → +55
2x40	T5c	PC 2/32/42 TCT PRO	22088959	123 x 79 x 31	66.5	0.17	80.0	82.3	A2	0.379	0.351	0.99	0.98	80	-25 → +55
2x18	TC-L	PC 2/26/32 TCT PRO	22088943	123 x 79 x 31	66.5	0.17	32.0	34.2	A2	0.159	0.148	0.97	0.96	80	-25 → +60
2x24	TC-L	PC 2/26/32 TCT PRO	22088943	123 x 79 x 31	66.5	0.17	44.0	50.2	A2	0.234	0.216	0.98	0.98	80	-25 → +60
2x18	TC-F	PC 2/26/32 TCT PRO	22088943	123 x 79 x 31	66.5	0.17	32.0	34.2	A2	0.146	0.136	0.97	0.96	80	-25 → +60
2x24	TC-F	PC 2/26/32 TCT PRO	22088943	123 x 79 x 31	66.5	0.17	44.0	50.2	A2	0.211	0.195	0.98	0.98	80	-25 → +60